



# Fire Door Seal

*Complies with AS1950.1 and tested to AS1530.4*

---

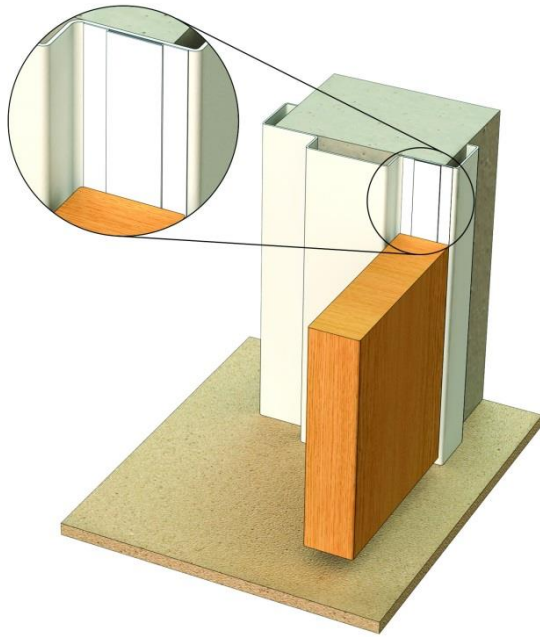
## *Technical Data Sheet*

**ADDRESS** Unit 8 / 15-23 Kumulla Road  
Caringbah NSW 2229, AUSTRALIA  
**MAILING ADDRESS** PO Box 707, Caringbah NSW 1495, AUSTRALIA  
**INTERNATIONAL CALLERS** +612 9531 8591

**PHONE** 1300 50 BOSS  
**FAX** 1300 60 BOSS  
**EMAIL** [info@bossfire.com.au](mailto:info@bossfire.com.au)  
**WEB** [www.bossfire.com.au](http://www.bossfire.com.au)

# INTUMESCENT FIRE & SMOKE DOOR SEAL

## INTRODUCTION



Intumescent retro-fit seal for upgrading door perimeter gaps where the clearance exceeds the maximum 3mm specified by AS1905/1. Consists of a flame retardant PVC top hat section, encapsulating a high performance intumescent material and two rows of aggressive self-adhesive tape.

## APPLICATION

Used to upgrade existing fire doors with up to and including 6mm perimeter gaps.

## KEY FEATURES

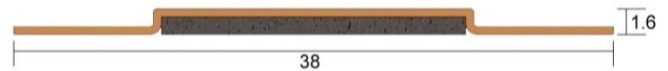
- Can provide up to 2 hours fire resistance on proprietary fire doors
- Non compliant fire doors can be salvaged
- It can allow the use of a standard builders steel frame in lieu of the conventional 25mm stops with tested proprietary fire doors
- Cost-effective solution
- Easy retro-fit installation
- Ideal for fire engineered solutions where extra protection is necessary for life safety

## GAP SIZES

Up to and including 6mm perimeter gaps.

## SIZES & FINISHES

<b>Dimensions</b>	38mm x 1.6mm
<b>Finish</b>	White, Silver, Dark Brown colour
<b>Fixing</b>	Simply applied to the top and sides of the door frame with 2 rows of aggressive self-adhesive tape. No screw fixing required.

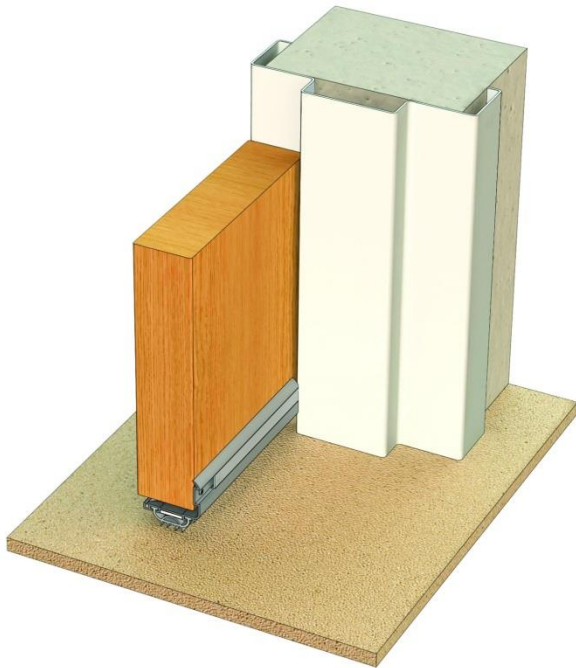


## APPROVALS

- Fire tested to AS/1530.4 for up to 2 hours on proprietary fire doors
- Complies with AS/1905.1

# FIRE DOOR BUILD-UP KIT

## INTRODUCTION



The Intumescent Door Bottom Seal is fitted to the bottom of the door leaf. It consists of an anodised aluminium profile, flame retardant smoke, draught and light excluding silicone gasket and integral high performance intumescent fire seals.

## APPLICATION

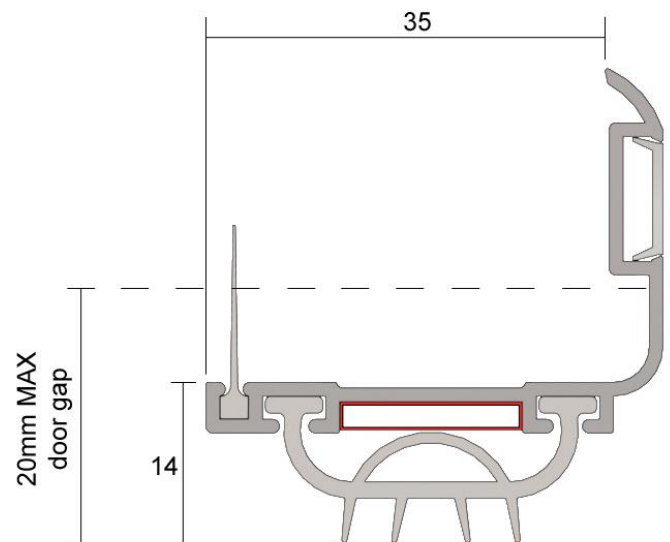
Used to upgrade existing fire doors where door bottom gaps exceed the allowable 10mm as per AS1905/1.

## KEY FEATURES

- Can provide up to 2 hours fire resistance when fitted to the bottom of proprietary fire doors.
- Non-compliant fire doors can be salvaged.
- Avoids expensive door build-ups or door replacements.
- Cost-effective solution.
- Easy retro-fit installation.
- No need to remove the door during installation.

## GAP SIZE

To seal gap sizes up to 20mm maximum, under nom. 35mm and 45mm proprietary doors.



## SIZES & FINISHES

<b>Standard Lengths</b>	820mm x 920mm x 1220mm
<b>Colours</b>	Clear Anodised (Silver) with grey gaskets
<b>Fixing</b>	Supplied with pre-drilled slotted holes and screws for easy application onto the bottom of door leaves

## APPROVALS

- Fully tested to AS1530.4 for up to 2 hours on proprietary fire door assemblies
- Complies with AS1905/1

**NB: Check with your door manufacturer for approvals.**

## LIMITATION

BOSS Fire & Safety Pty Ltd has provided the above technical information in good faith and to the best of its knowledge. This information was deemed to be correct at the time of publication. Should any data come to BOSS Fire & Safety's attention relating to the fire resistance or performance of the product described, BOSS Fire & Safety reserve the right to amend this report.

BOSS Fire & Safety strive to constantly improve and develop products so this information may change without notice.

## FURTHER TECHNICAL INFORMATION

For additional technical information on the performance of Fire Door Seal or other BOSS products please contact our Technical Services team on:

**Phone 1300 502 677**

Fax 1300 602 677

Direct +612 9531 8591

Email [info@bossfire.com.au](mailto:info@bossfire.com.au)

Web [www.bossfire.com.au](http://www.bossfire.com.au)